

Vorlage/Template

Kissenschachtel in zwei Varianten
Pillowbox in two variations

@annaspaperbox.de

anna's
Paperbox
by Anna Sposato * annaspaperbox.de

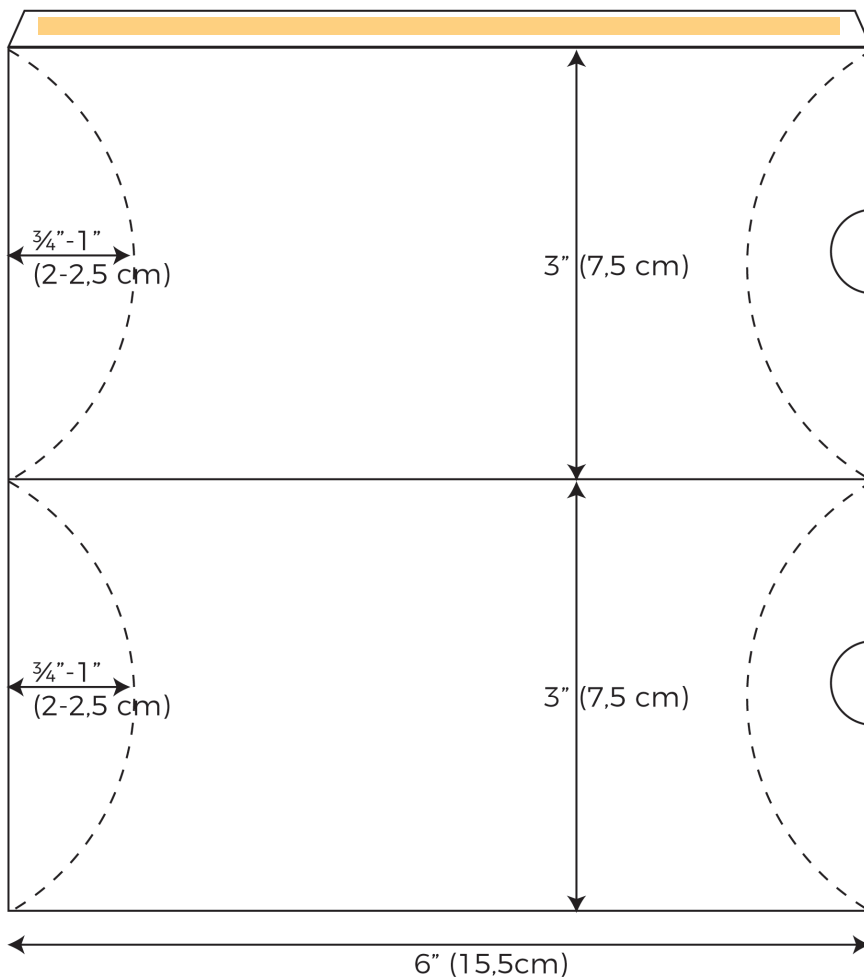
Variante 1 (gerade Verschlusskanten)/Style A (straight closure ends)

Farbkarton:
6" x 6¼" (15,5 x 15,5 cm)

Lange Seite falzen bei:
3" - 6" (7,5 - 15 cm)

Cardstock:
6" x 6¼" (15,5 x 15,5 cm)

score on the long side at:
3" - 6" (7,5 - 15 cm)



— — — — —
Schneiden
Cut

■ Kleben
Glue

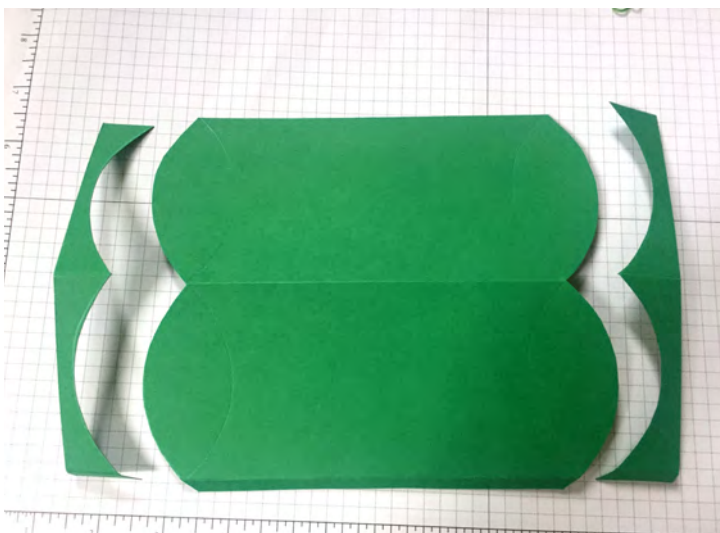
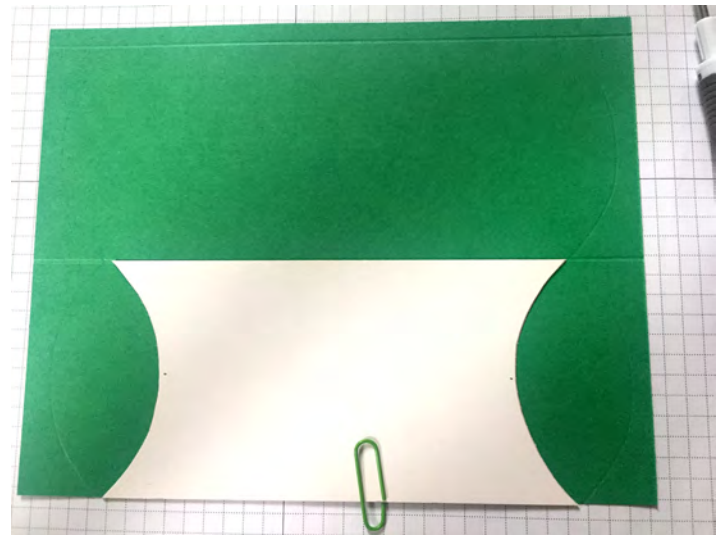
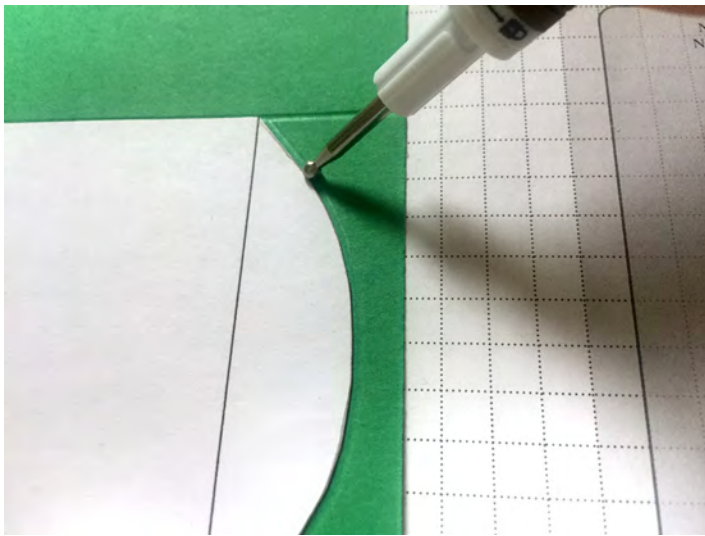
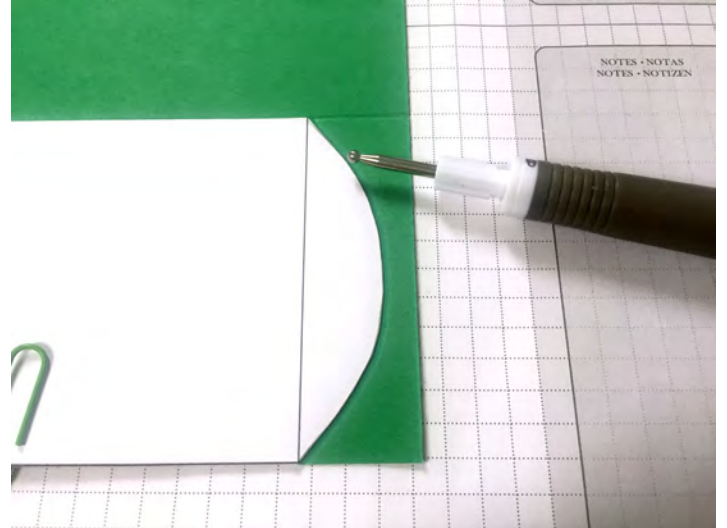
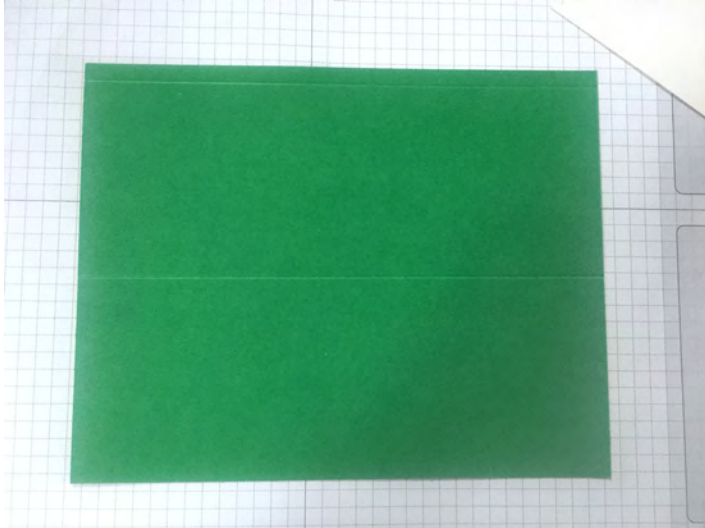
- - - - -
Falzen
Score



Vorlage/Template

anna's
Paperbox
by Anna Sposato * annaspaperbox.de

@annaspaperbox.de



Vorlage/Template

Kissenschachtel in zwei Varianten
Pillowbox in two variations

anna's
Paperbox
by Anna Sposato * annaspaperbox.de

@annaspaperbox.de

Variante 2 (gewölbte Verschlusskanten)/Style B (arched closure ends)

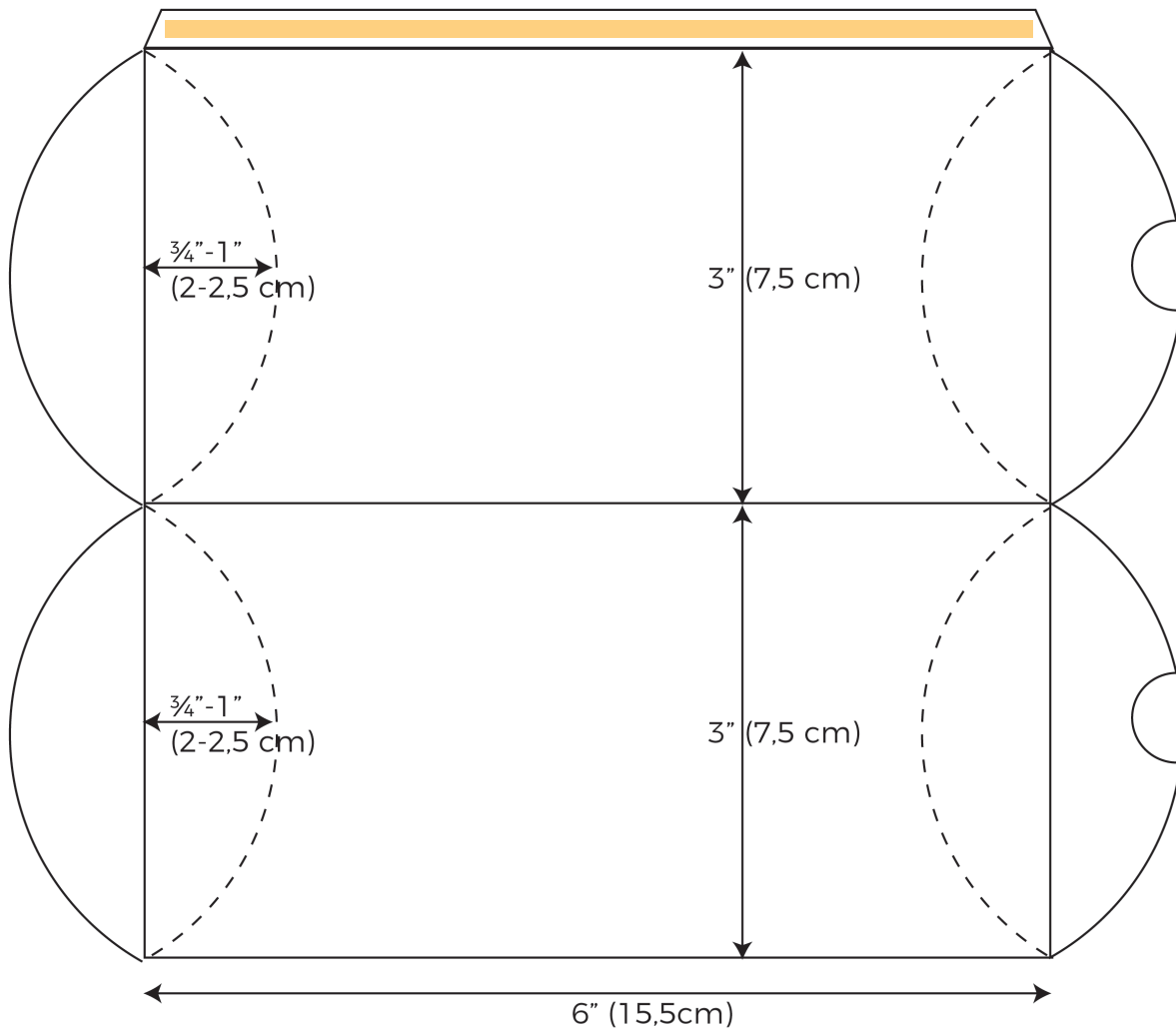
Farbkarton:
8" x 6¼" (20,5 x 15,5 cm)

Kurze Seite falzen bei:
3" - 6" (7,5 - 15 cm)



Cardstock:
8" x 6¼" (20,5 x 15,5 cm)

score on the short side at:
3" - 6" (7,5 - 15 cm)



— — — — —
Schneiden
Cut

■ Kleben
Glue

- - - - -
Falzen
Score



Vorlage/Template

anna's
Paperbox
by Anna Sposato * annaspaperbox.de

@annaspaperbox.de



Vorlage/Template

anna's
Paperbox
by Anna Sposato * annaspaperbox.de

@annaspaperbox.de

